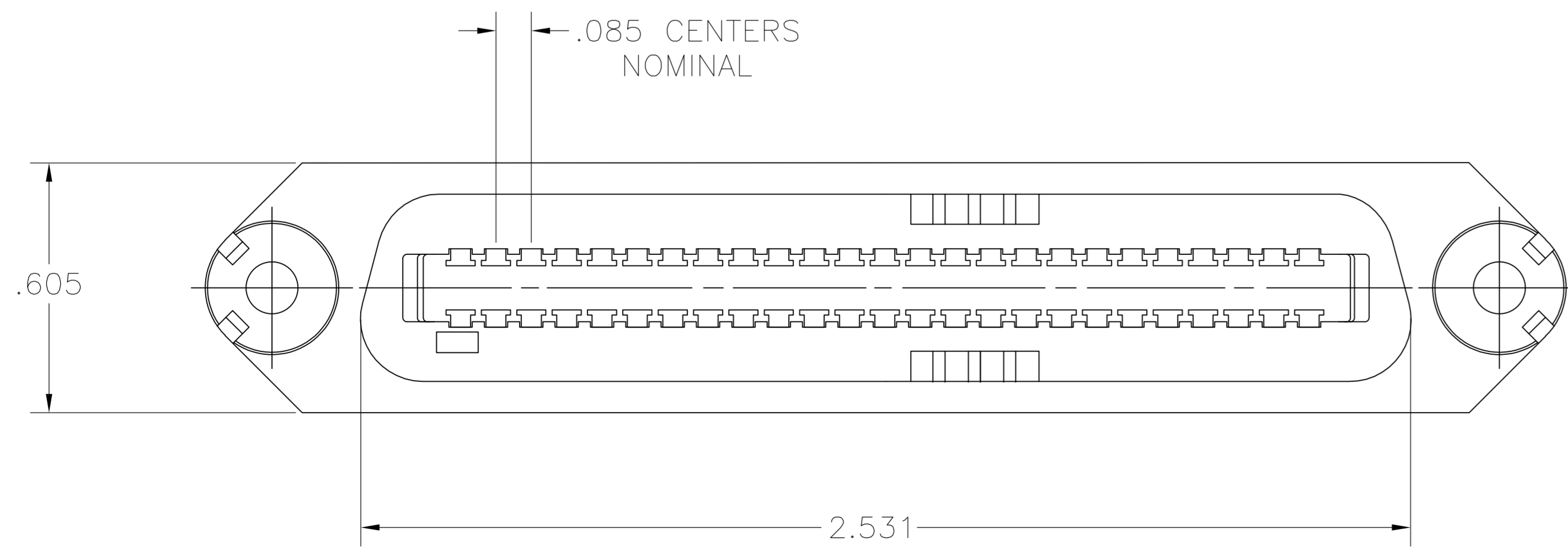
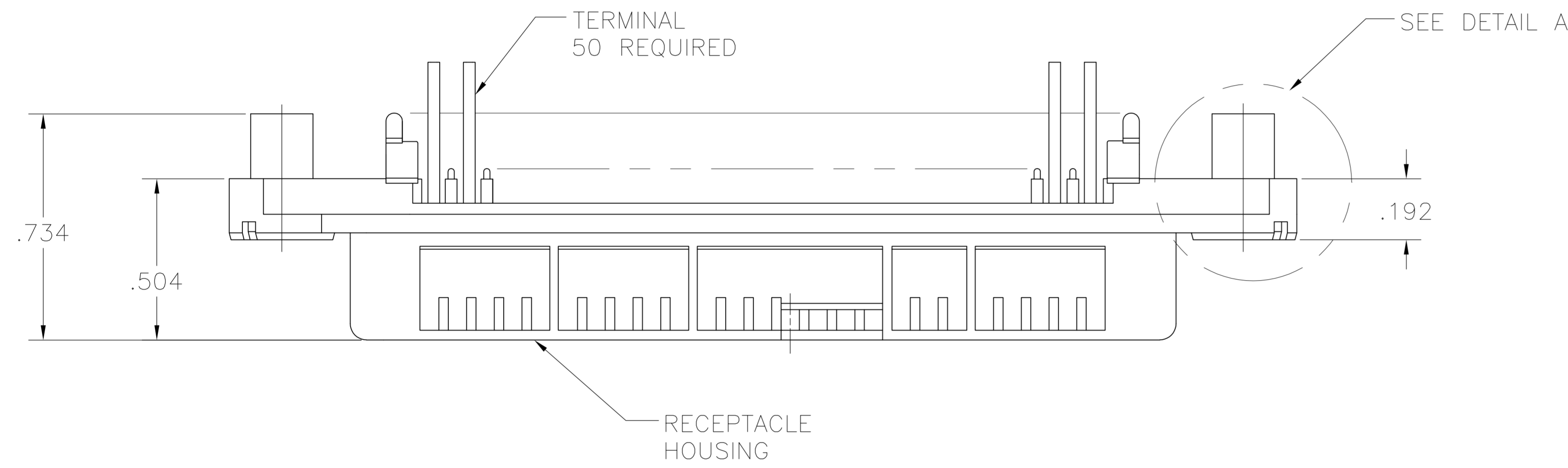
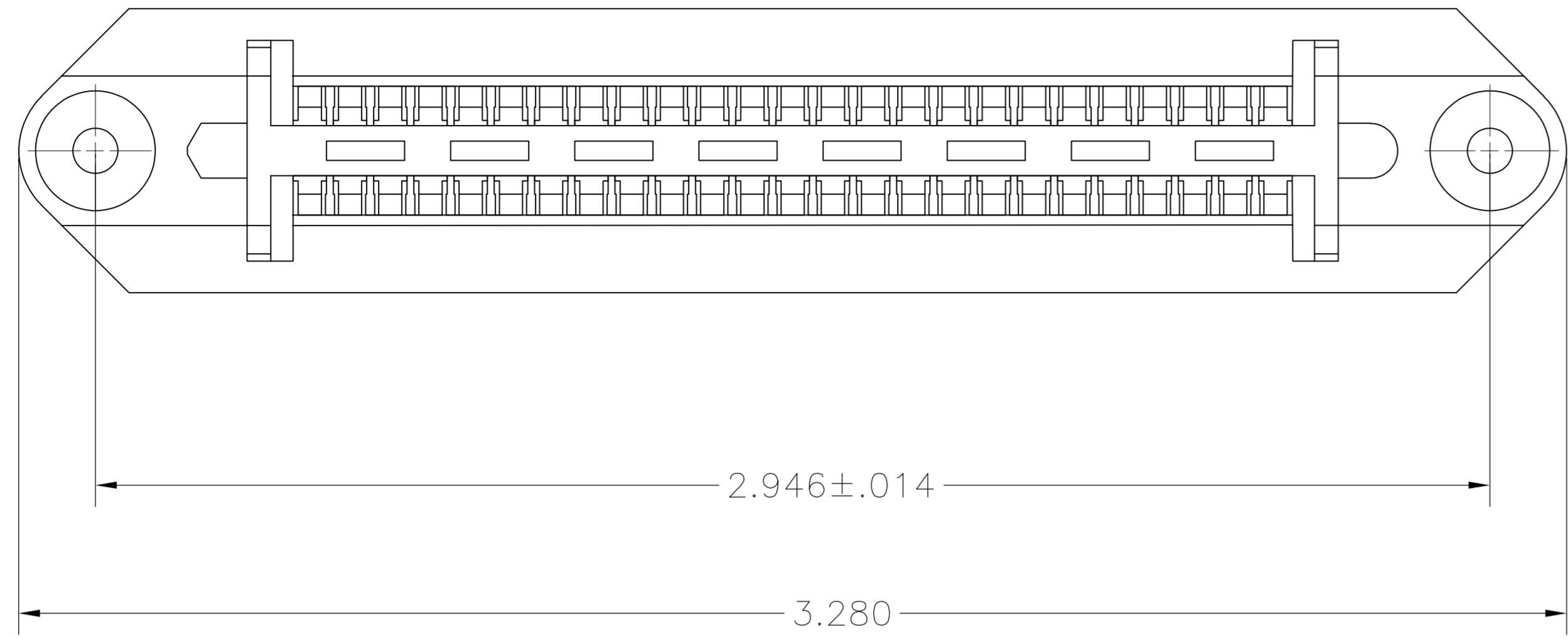
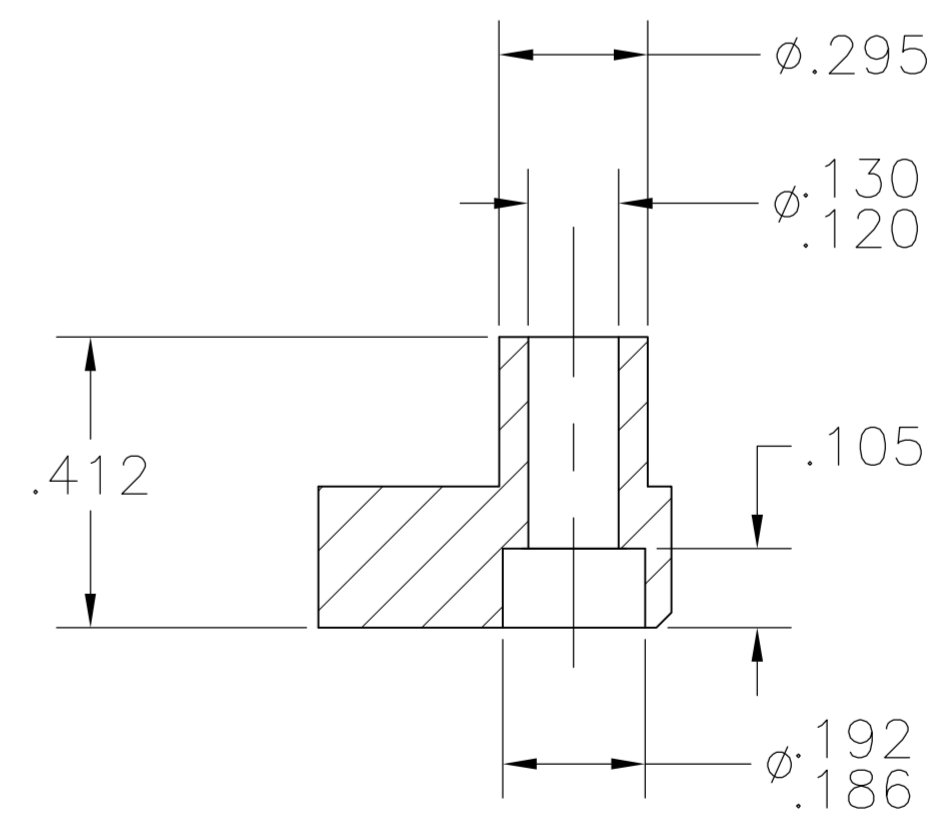
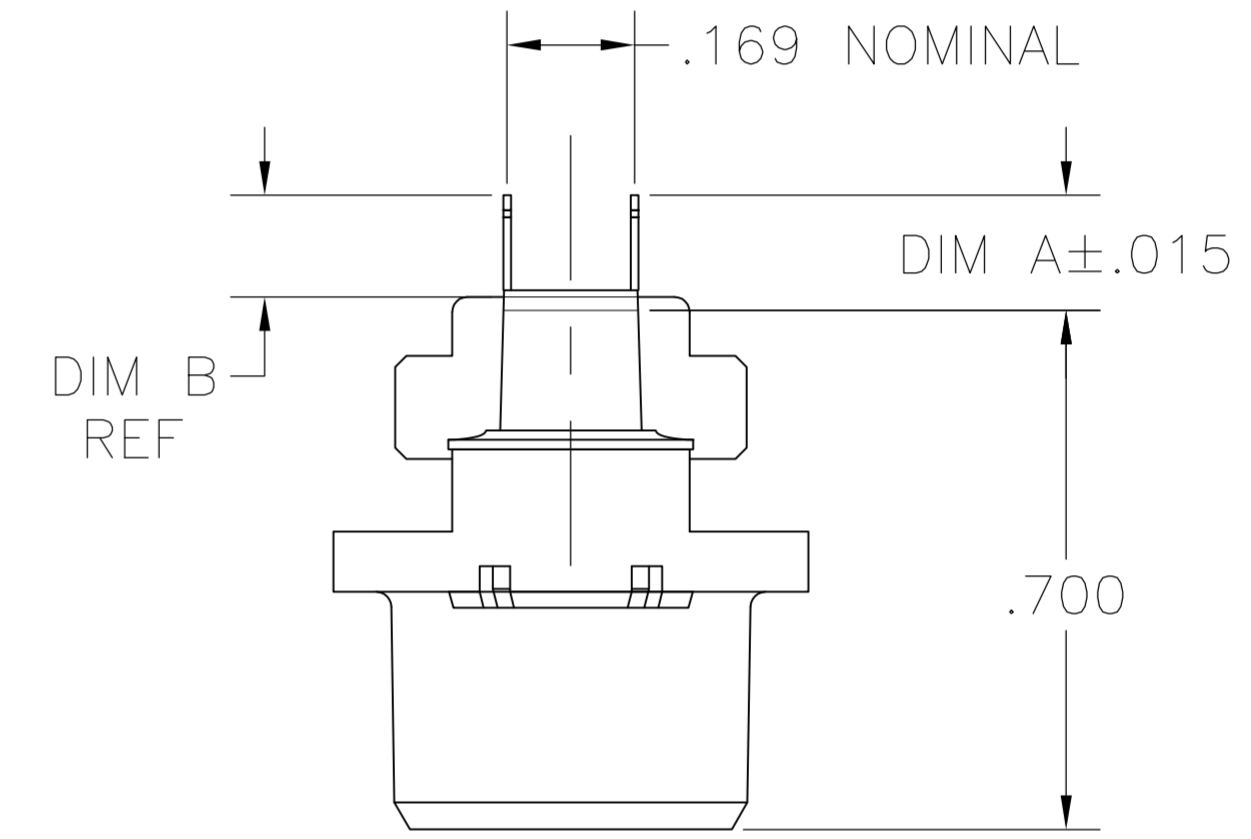


LOC		DIST		REVISIONS			
F	LTR	DESCRIPTION	DATE	DWN	APVD		
GP	00						
R		REVISED PER ECO-08-007327	18APR08	BM	WM		



1. THE CONTACT SURFACES OF THE TERMINALS ARE COATED WITH LUBRICANT.
2. MATERIAL: HOUSING - POLYESTER, BLACK. TERMINAL - PHOS BRONZE PLATED WITH EITHER .000030 MINIMUM GOLD PLATE OR GOLD FLASH OVER PALLADIUM NICKEL PLATE, .000030 MIN TOTAL ON MATING SURFACE. .000120 MINIMUM TIN-LEAD PLATE ON TAILS OVER .000050 MINIMUM NICKEL UNDERPLATE OVER ENTIRE TERMINAL.
3. ALL DIMENSIONS SHOWN ARE MAXIMUM UNLESS OTHERWISE SPECIFIED.



DETAIL A

.180	.200	552118-1
DIM B	DIM A	PART NO

THIS DRAWING IS A CONTROLLED DOCUMENT.		DWN Z. REAM 9/MAR/07	Tyco Electronics Corporation Tyco Electronics Corporation Harrisburg, PA 17105-3608	
DIMENSIONS: INCHES		CHK W. MILLHIMES 9/MAR/07	NAME RECEPTACLE ASSEMBLY, 50 POSN, VERTICAL MTG, CHAMP-LOK	
TOLERANCES UNLESS OTHERWISE SPECIFIED:		APVD W. MILLHIMES 9/MAR/07	PRODUCT SPEC	
0 PLC	±	3	APPLICATION SPEC	
1 PLC	±		SIZE	
2 PLC	±		CAGE CODE	
3 PLC	±		DRAWING NO	
4 PLC	±		RESTRICTED TO	
ANGLES	±		A1 00779	
FINISH	±		C=552118	
MATERIAL		WEIGHT	CUSTOMER DRAWING	
			SCALE 4:1 SHEET 1 of 1 REV R	